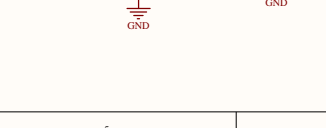
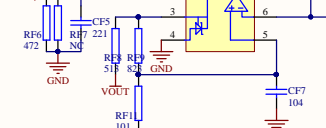
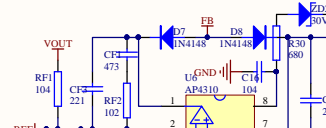
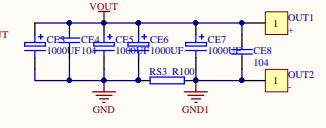
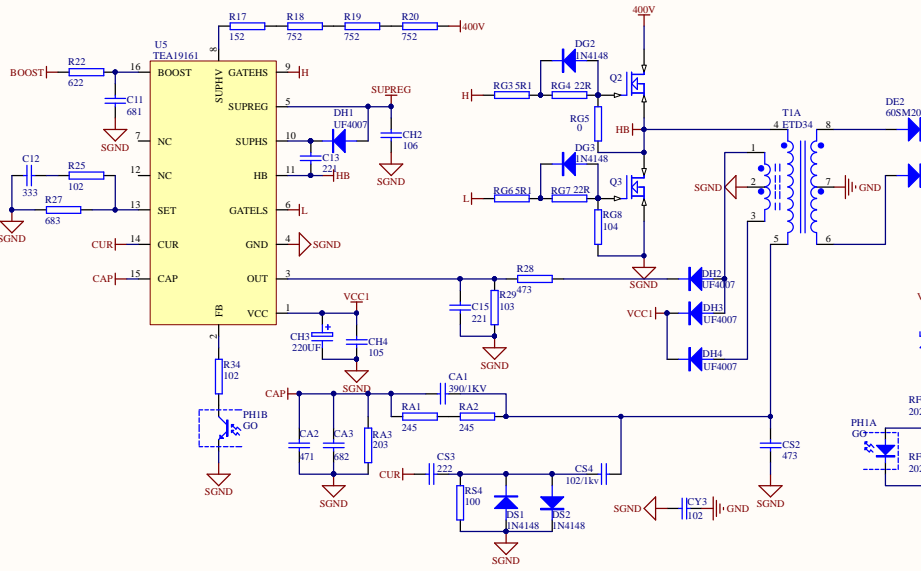
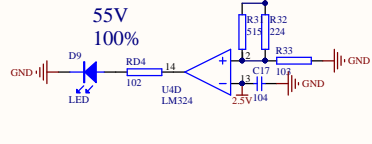
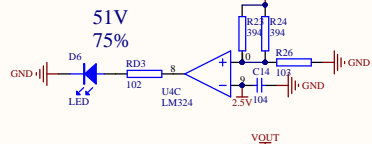
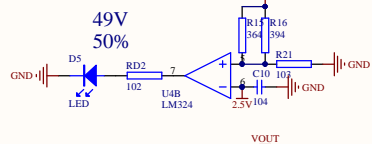
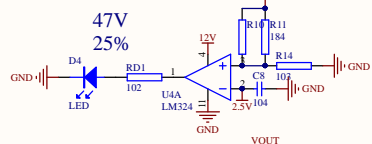
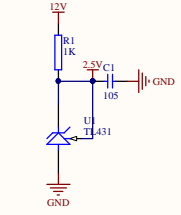
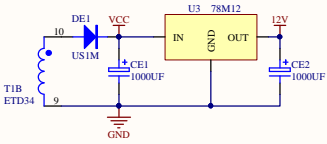
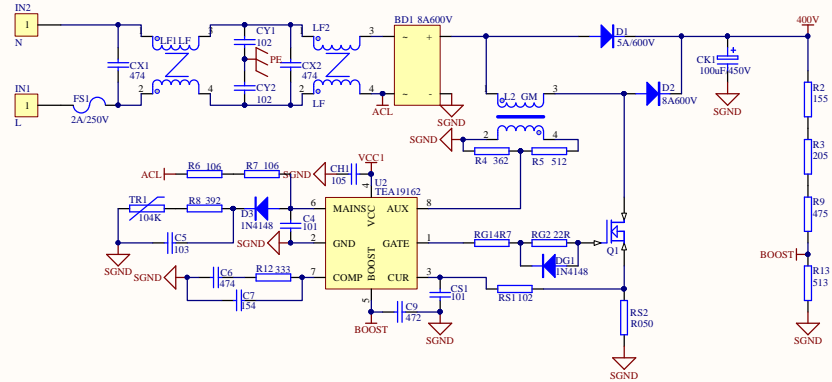


# DIY 250W LLC 电动车充电器\_V2.1\_SCH

20180130\_154600



Title		
Size	Number	Revision
A2		
Date:	2018/1/30 星期二	Sheet of
File:	C:\Users\... \LLC_SchDoc	Drawn By: