



**AO3407**

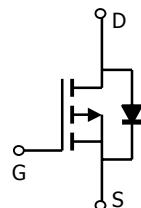
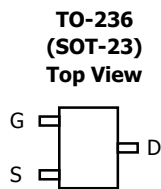
**P-Channel Enhancement Mode Field Effect Transistor**

**General Description**

The AO3407 uses advanced trench technology to provide excellent  $R_{DS(ON)}$  with low gate charge. This device is suitable for use as a load switch or in PWM applications.

**Features**

- $V_{DS} (V) = -30V$
- $I_D = -4.1 A$
- $R_{DS(ON)} < 52m\Omega (V_{GS} = -10V)$
- $R_{DS(ON)} < 87m\Omega (V_{GS} = -4.5V)$



**Absolute Maximum Ratings  $T_A=25^\circ C$  unless otherwise noted**

Parameter	Symbol	Maximum	Units
Drain-Source Voltage	$V_{DS}$	-30	V
Gate-Source Voltage	$V_{GS}$	$\pm 20$	V
Continuous Drain Current <sup>A</sup>	$T_A=25^\circ C$	-4.1	A
	$T_A=70^\circ C$	-3.5	
Pulsed Drain Current <sup>B</sup>	$I_{DM}$	-20	
Power Dissipation <sup>A</sup>	$T_A=25^\circ C$	1.4	W
	$T_A=70^\circ C$	1	
Junction and Storage Temperature Range	$T_J, T_{STG}$	-55 to 150	$^\circ C$

**Thermal Characteristics**

Parameter	Symbol	Typ	Max	Units
Maximum Junction-to-Ambient <sup>A</sup>	$R_{\theta JA}$	65	90	$^\circ C/W$
Maximum Junction-to-Ambient <sup>A</sup>		Steady-State	85	
Maximum Junction-to-Lead <sup>C</sup>	$R_{\theta JL}$	43	60	$^\circ C/W$

## AO3407

Electrical Characteristics ( $T_J=25^\circ\text{C}$  unless otherwise noted)

Symbol	Parameter	Conditions	Min	Typ	Max	Units
<b>STATIC PARAMETERS</b>						
$BV_{DSS}$	Drain-Source Breakdown Voltage	$I_D=-250\mu\text{A}$ , $V_{GS}=0\text{V}$	-30			V
$I_{DSS}$	Zero Gate Voltage Drain Current	$V_{DS}=-24\text{V}$ , $V_{GS}=0\text{V}$ $T_J=55^\circ\text{C}$			-1 -5	$\mu\text{A}$
$I_{GSS}$	Gate-Body leakage current	$V_{DS}=0\text{V}$ , $V_{GS}=\pm 20\text{V}$			$\pm 100$	nA
$V_{GS(th)}$	Gate Threshold Voltage	$V_{DS}=V_{GS}$ , $I_D=-250\mu\text{A}$	-1	-1.8	-3	V
$I_{D(ON)}$	On state drain current	$V_{GS}=-4.5\text{V}$ , $V_{DS}=-5\text{V}$	-10			A
$R_{DS(ON)}$	Static Drain-Source On-Resistance	$V_{GS}=-10\text{V}$ , $I_D=-4.1\text{A}$ $T_J=125^\circ\text{C}$		40.5 57	52 73	m $\Omega$
		$V_{GS}=-4.5\text{V}$ , $I_D=-3\text{A}$		64	87	
$g_{FS}$	Forward Transconductance	$V_{DS}=-5\text{V}$ , $I_D=-4\text{A}$	5.5	8.2		S
$V_{SD}$	Diode Forward Voltage	$I_S=-1\text{A}$ , $V_{GS}=0\text{V}$		-0.77	-1	V
$I_S$	Maximum Body-Diode Continuous Current				-2.2	A
<b>DYNAMIC PARAMETERS</b>						
$C_{iss}$	Input Capacitance	$V_{GS}=0\text{V}$ , $V_{DS}=-15\text{V}$ , $f=1\text{MHz}$		700		pF
$C_{oss}$	Output Capacitance			120		pF
$C_{rss}$	Reverse Transfer Capacitance			75		pF
$R_g$	Gate resistance	$V_{GS}=0\text{V}$ , $V_{DS}=0\text{V}$ , $f=1\text{MHz}$		10		$\Omega$
<b>SWITCHING PARAMETERS</b>						
$Q_g$	Total Gate Charge (10V)	$V_{GS}=-4.5\text{V}$ , $V_{DS}=-15\text{V}$ , $I_D=-4\text{A}$		14.3		nC
$Q_g$	Total Gate Charge (4.5V)			7		nC
$Q_{gs}$	Gate Source Charge			3.1		nC
$Q_{gd}$	Gate Drain Charge			3		nC
$t_{D(on)}$	Turn-On DelayTime	$V_{GS}=-10\text{V}$ , $V_{DS}=-15\text{V}$ , $R_L=3.6\Omega$ , $R_{GEN}=3\Omega$		8.6		ns
$t_r$	Turn-On Rise Time			5		ns
$t_{D(off)}$	Turn-Off DelayTime			28.2		ns
$t_f$	Turn-Off Fall Time			13.5		ns
$t_{rr}$	Body Diode Reverse Recovery Time	$I_F=-4\text{A}$ , $dI/dt=100\text{A}/\mu\text{s}$		27		ns
$Q_{rr}$	Body Diode Reverse Recovery Charge	$I_F=-4\text{A}$ , $dI/dt=100\text{A}/\mu\text{s}$		15		nC

A: The value of  $R_{\theta JA}$  is measured with the device mounted on 1in<sup>2</sup> FR-4 board with 2oz. Copper, in a still air environment with  $T_A=25^\circ\text{C}$ . The value in any a given application depends on the user's specific board design. The current rating is based on the  $t \leq 10\text{s}$  thermal resistance rating.

B: Repetitive rating, pulse width limited by junction temperature.

C: The  $R_{\theta JA}$  is the sum of the thermal impedance from junction to lead  $R_{\theta JL}$  and lead to ambient.

D: The static characteristics in Figures 1 to 6, 12, 14 are obtained using 80 $\mu\text{s}$  pulses, duty cycle 0.5% max.

E: These tests are performed with the device mounted on 1 in<sup>2</sup> FR-4 board with 2oz. Copper, in a still air environment with  $T_A=25^\circ\text{C}$ . The SOA curve provides a single pulse rating.

AO3407

TYPICAL ELECTRICAL AND THERMAL CHARACTERISTICS

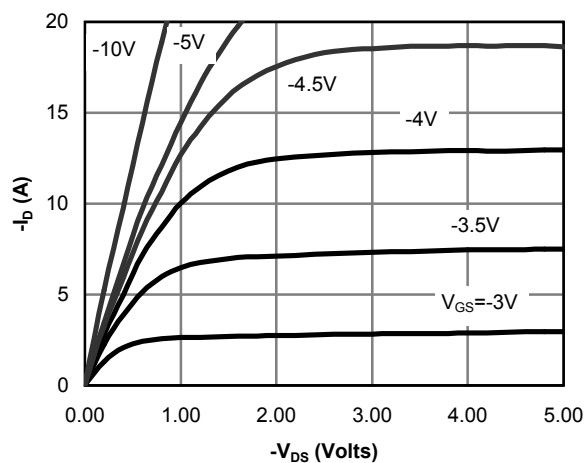


Figure 1: On-Region Characteristics

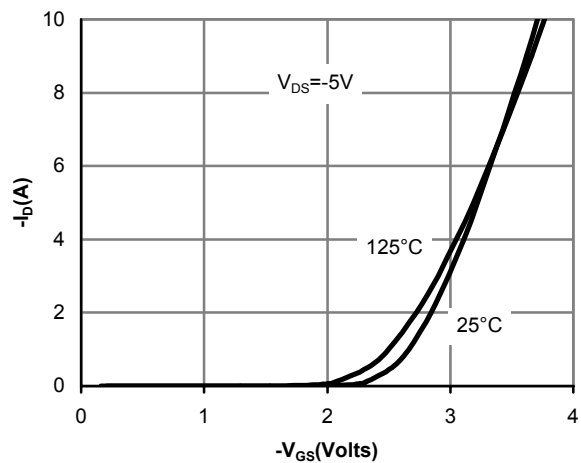


Figure 2: Transfer Characteristics

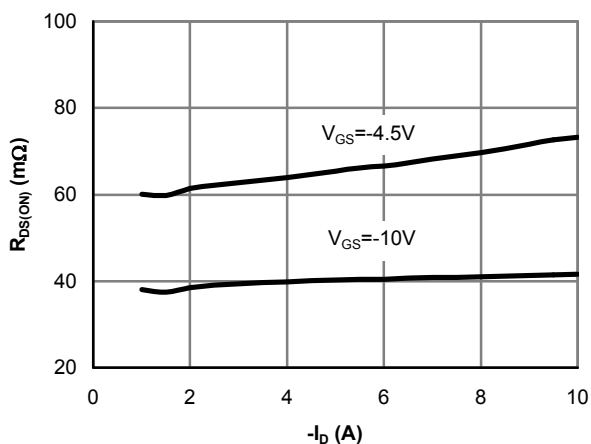


Figure 3: On-Resistance vs. Drain Current and Gate Voltage

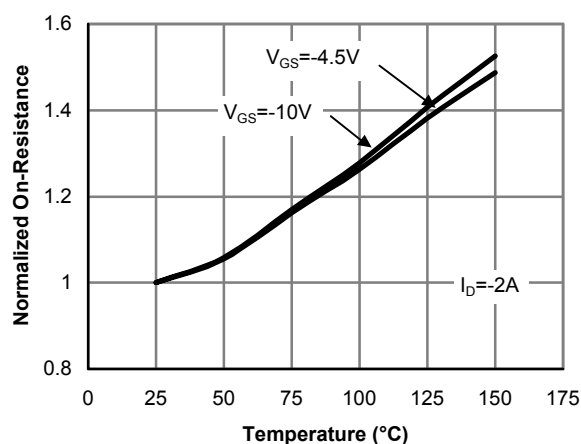


Figure 4: On-Resistance vs. Junction Temperature

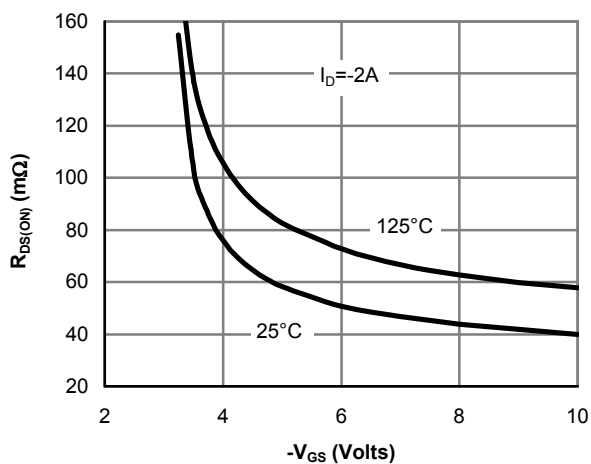


Figure 5: On-Resistance vs. Gate-Source Voltage

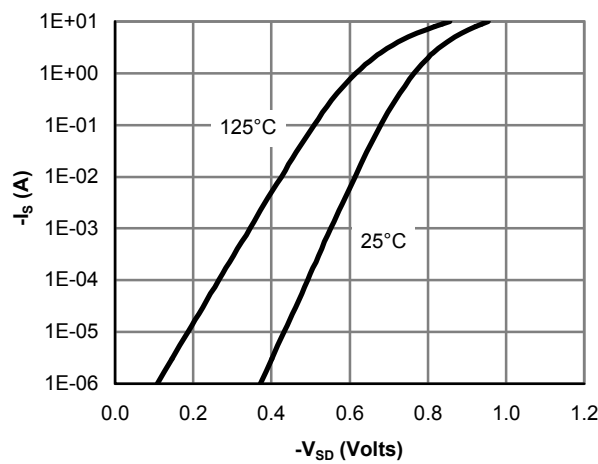


Figure 6: Body-Diode Characteristics

AO3407

TYPICAL ELECTRICAL AND THERMAL CHARACTERISTICS

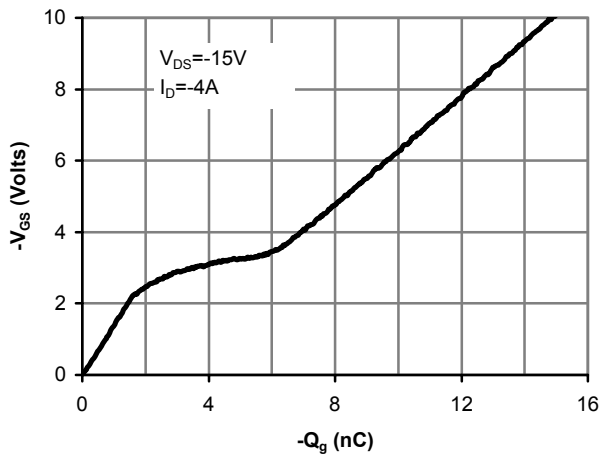


Figure 7: Gate-Charge Characteristics

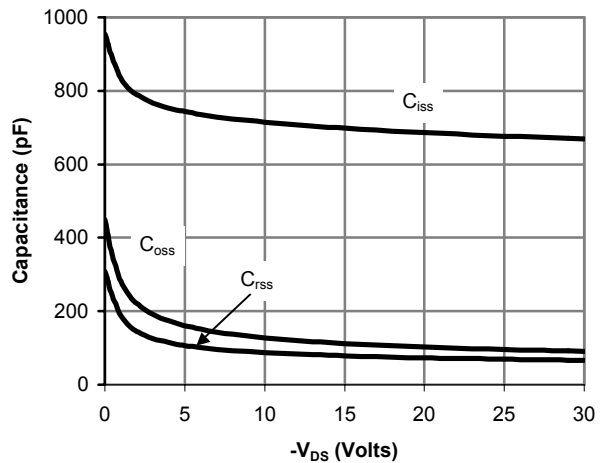


Figure 8: Capacitance Characteristics

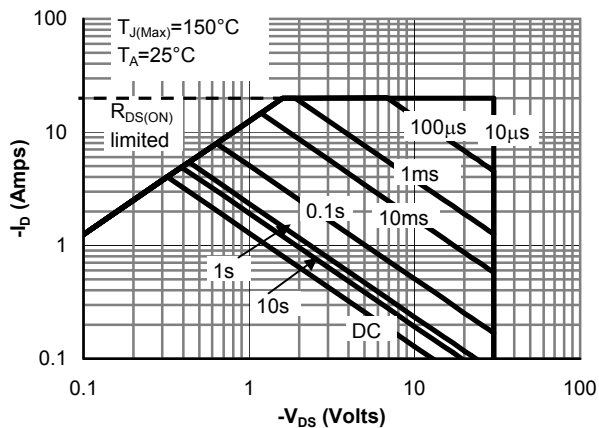


Figure 9: Maximum Forward Biased Safe Operating Area (Note E)

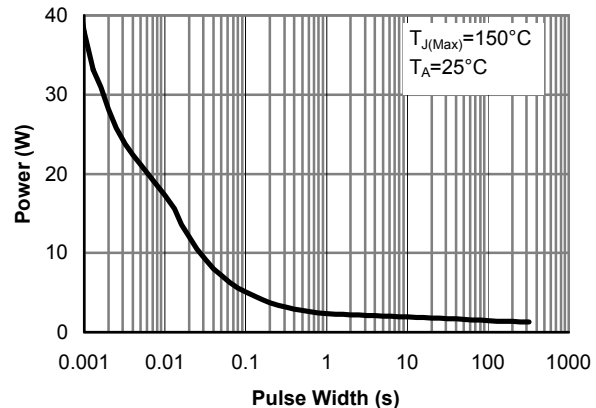


Figure 10: Single Pulse Power Rating Junction-to-Ambient (Note E)

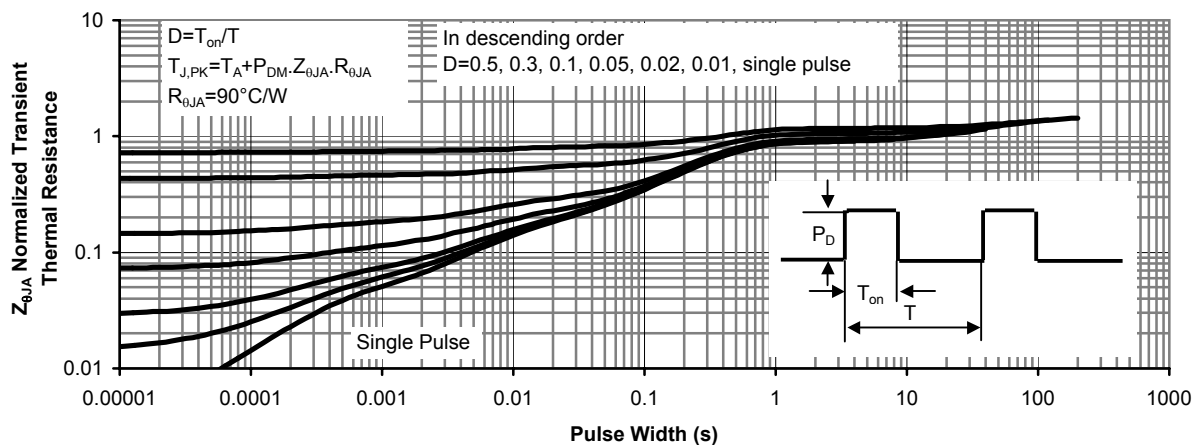
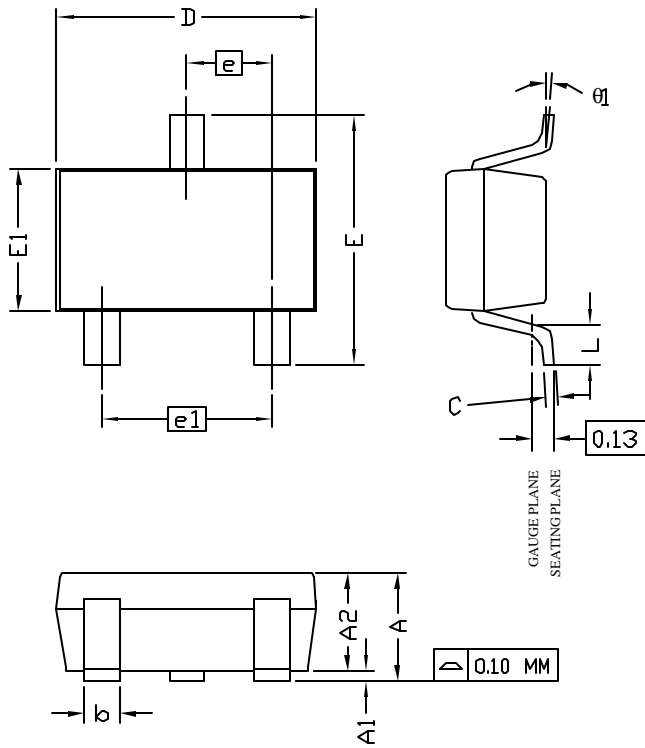


Figure 11: Normalized Maximum Transient Thermal Impedance



**ALPHA & OMEGA**  
SEMICONDUCTOR, INC.

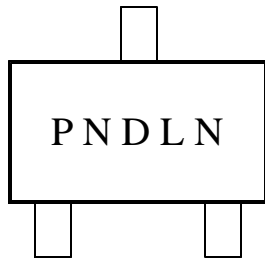
### SOT-23 Package Data



SYMBOLS	DIMENSIONS IN MILLIMETERS		
	MIN	NOM	MAX
A	1.00	—	1.25
A1	0.00	—	0.10
A2	1.00	1.10	1.15
b	0.35	0.40	0.50
C	0.10	0.15	0.25
D	2.80	2.90	3.04
E	2.60	2.80	2.95
E1	1.40	1.60	1.80
e	—	0.95 BSC	—
e1	—	1.90 BSC	—
L	0.40	—	0.60
$\theta 1$	1°	5°	8°

- NOTE:
- LEAD FINISH: 150 MICROINCHES ( 3.8 um) MIN.  
THICKNESS OF Tin/Lead (SOLDER) PLATED ON LEAD
  - TOLERANCE  $\pm 0.10$  mm (4 mil) UNLESS OTHERWISE SPECIFIED
  - COPLANARITY : 0.10 mm
  - DIMENSION L IS MEASURED IN GAGE PLANE

#### PACKAGE MARKING DESCRIPTION

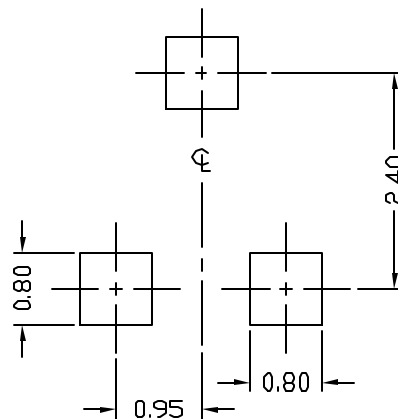


#### SOT-23 PART NO. CODE

PART NO.	CODE
AO3407	A7

- NOTE:
- P N - PART NUMBER CODE.
  - D - YAER AND WEEK CODE.
  - L N - ASSEMBLY LOT CODE, FAB AND ASSEMBLY LOCATION CODE.

#### RECOMMENDATION OF LAND PATTERN

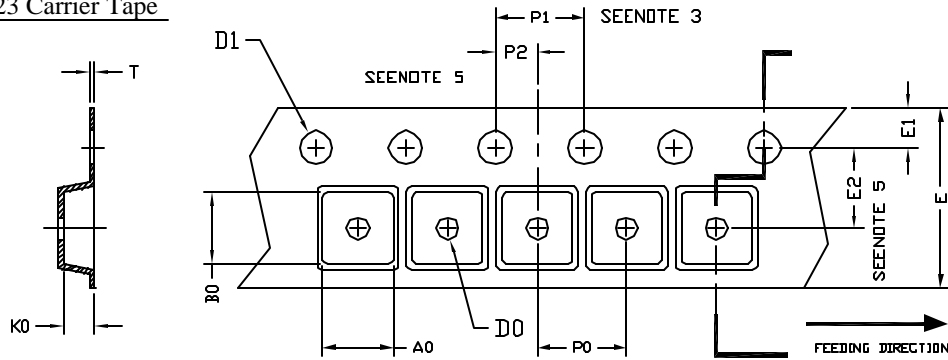




**ALPHA & OMEGA**  
SEMICONDUCTOR, INC.

**SOT-23 Tape and Reel Data**

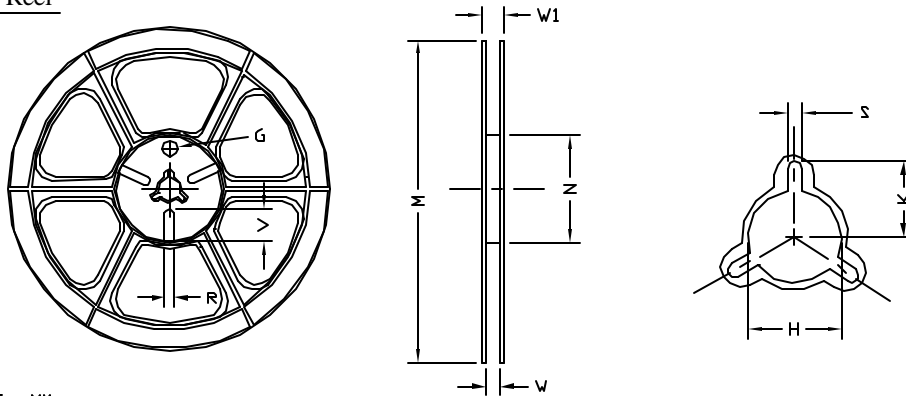
SOT-23 Carrier Tape



UNIT: MM

PACKAGE	A0	B0	K0	D0	D1	E	E1	E2	P0	P1	P2	T
SOT-23 (8 mm)	3.15 $\pm 0.10$	3.20 $\pm 0.10$	1.40 $\pm 0.10$	1.00 MIN	1.30 $+0.10$	8.00 $\pm 0.30$	1.75 $\pm 0.10$	3.50 $\pm 0.05$	4.00 $\pm 0.10$	4.00 $\pm 0.10$	2.00 $\pm 0.05$	0.25 $\pm 0.05$

SOT-23 Reel



UNIT: MM

TAPE SIZE	REEL SIZE	M	N	W	W1	H	K	S	G	R	V
8 mm	$\phi 180$	$\phi 180.00$ $\pm 0.50$	$\phi 60.50$	9.00 $\pm 0.30$	11.40 $\pm 1.00$	$\phi 13.00$ $+0.50$ $-0.20$	10.60	2.00 $\pm 0.50$	$\phi 9.00$	5.00	18.00

SOT-23 Tape

Leader / Trailer  
& Orientation

