

6

5

4

3

2

1

REVISION RECORD			
LTR	ECO NO:	APPROVED:	DATE:
1	VER1.0	FAE054	7-18

D

D

C

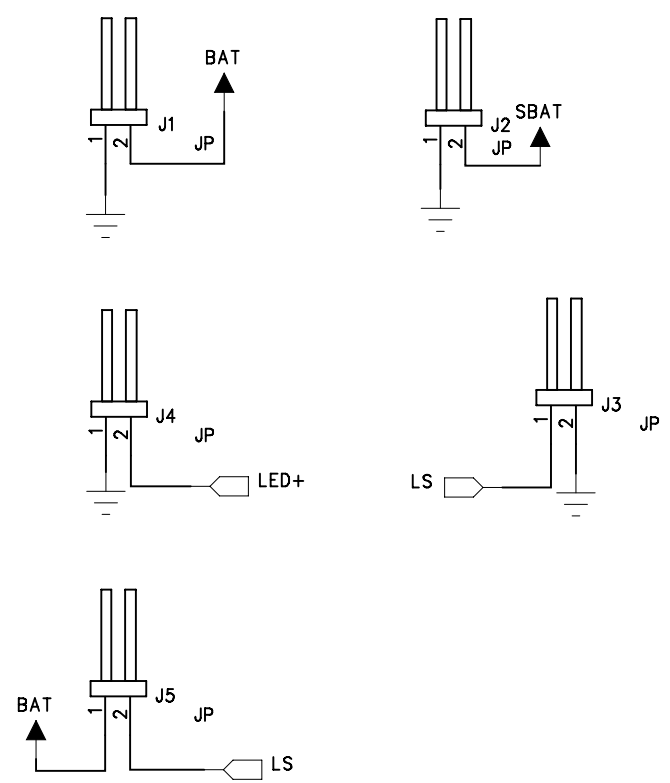
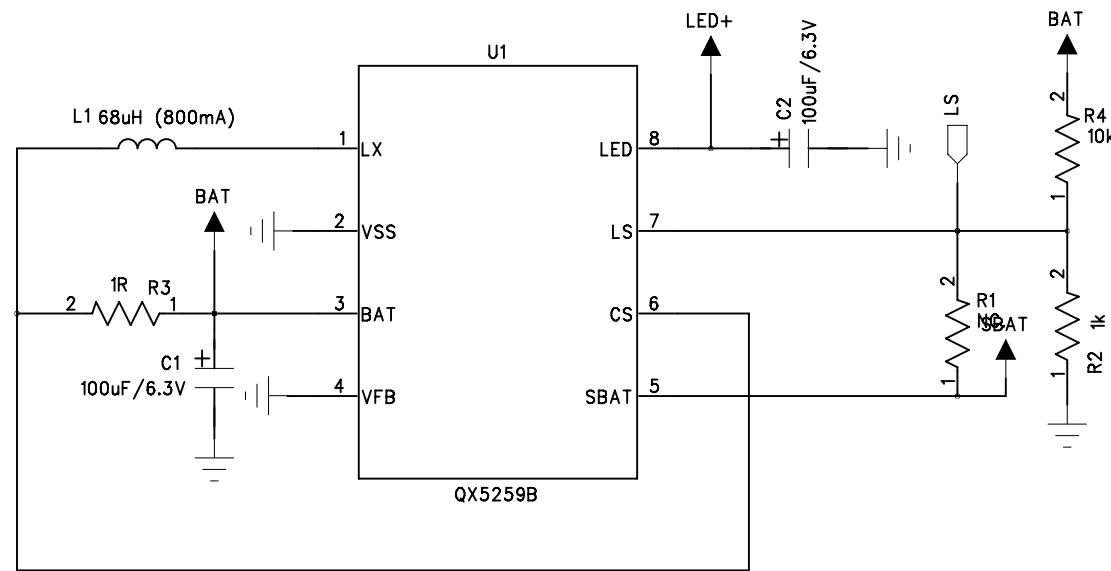
C

B

B

A

A



COMPANY: qxmd.com.cn			
TITLE: QX5255C DEMO APPLICATION			
CODE:	SIZE:	DRAWING NO:	REV:
<Code>	B<Drawing Number>	<Revision>	<Revision>
SCALE: <Scale>			SHEET: 1 OF 1

DRAWN: FAE054	DATED: 2014/8/18
CHECKED: FAE054	DATED: 2014/8/18
QUALITY CONTROL: <QC By>	DATED: <QC Date>
RELEASED: <Released By>	DATED: <Release Date>