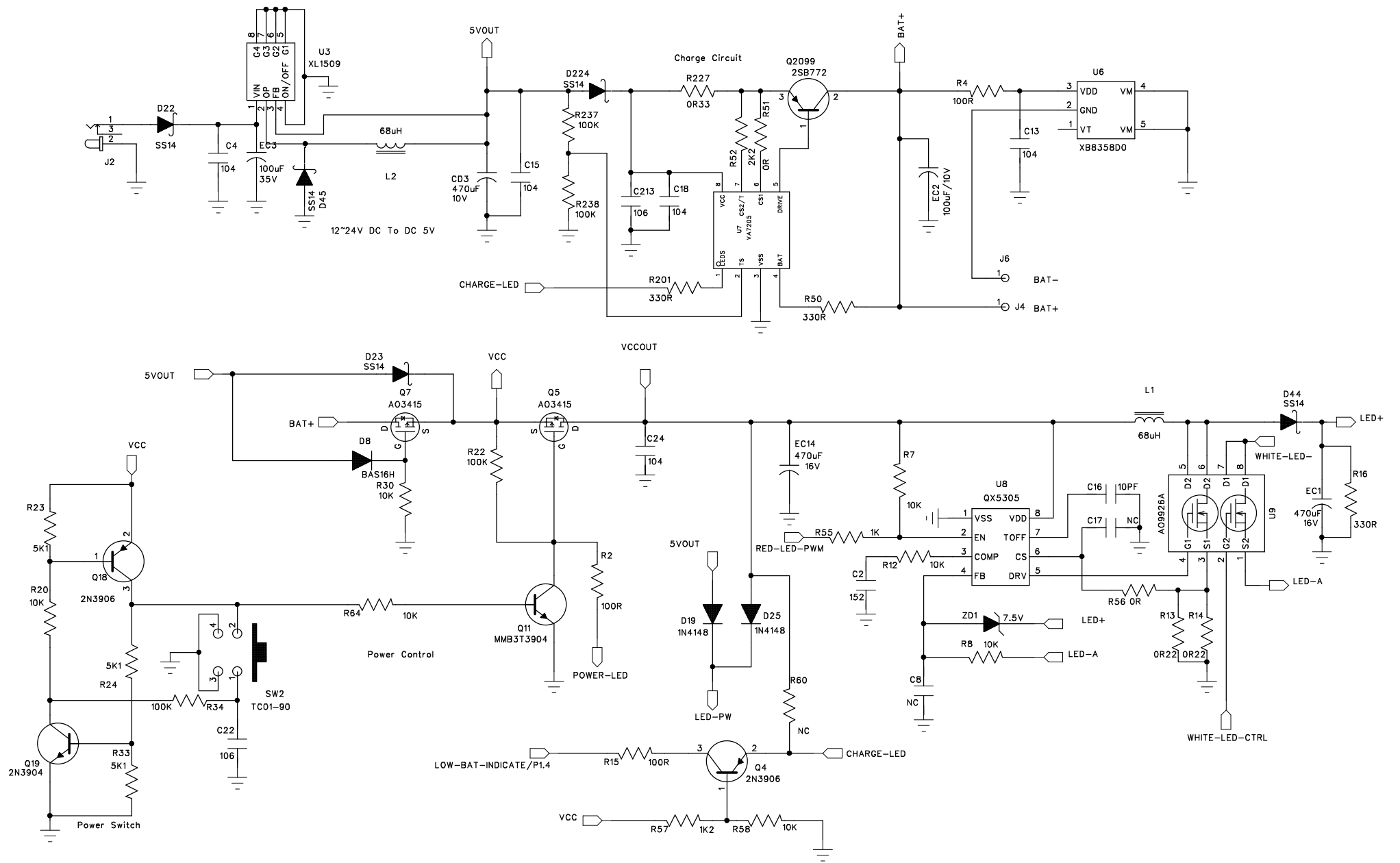


TITLE		SCHEMATIC DIAGRAM	
CAD REF.: H10TMB05		DRAWN:	
MODEL NO.: H10T		CHKD:	
PAGE	OF	APRD:	



TITLE		SCHEMATIC DIAGRAM	
CAD REF.:	H10TMB05	DRAWN:	
MODEL NO.:	H10T	CHKD:	
PAGE	OF	APRD:	