

6

5

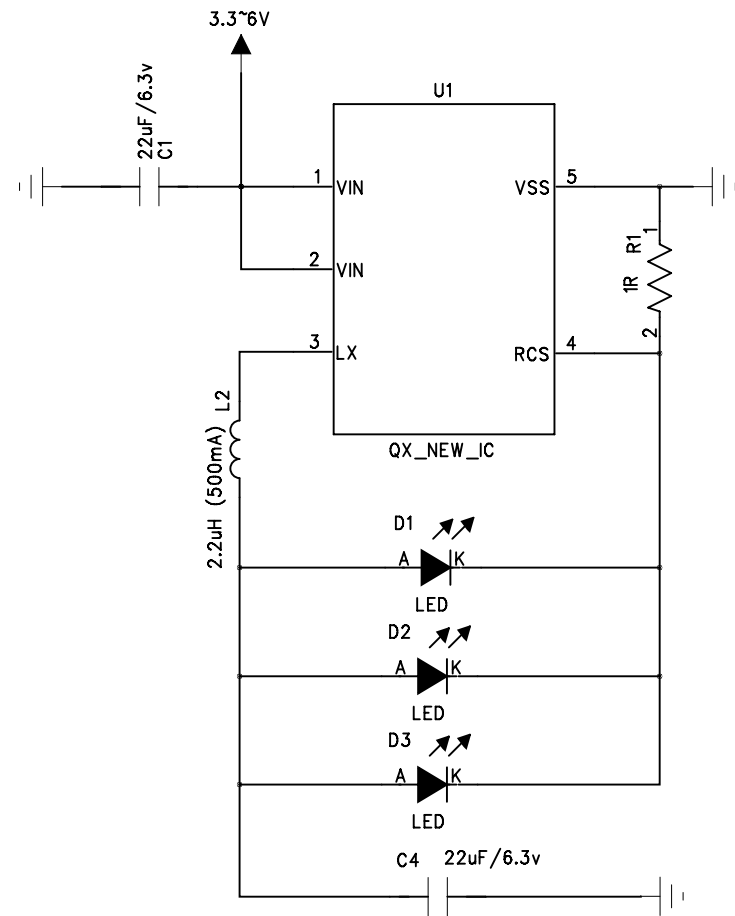
4

3

2

1

REVISION RECORD			
LTR	ECO NO:	APPROVED:	DATE:
1	VER1.0	FAE054	9/5



$$I_{LED} = 0.2v / R1$$

$$R1 = 0.33$$

$$= I_{LED} = 600mA$$

CUSTOMER NOTICE

QXMD SEMICONDUCTOR HAS MADE A BEST EFFORT TO DESIGN A CIRCUIT THAT MEETS CUSTOMER-SUPPLIED SPECIFICATIONS; HOWEVER, IT REMAINS THE CUSTOMER'S RESPONSIBILITY TO VERIFY PROPER AND RELIABLE OPERATION IN THE ACTUAL APPLICATION. COMPONENT SUBSTITUTION AND PRINTED CIRCUIT BOARD LAYOUT MAY SIGNIFICANTLY AFFECT CIRCUIT PERFORMANCE OR RELIABILITY. CONTACT QXMD SEMICONDUCTOR APPLICATIONS ENGINEERING FOR ASSISTANCE.
 website: www.qxmd.com.cn

COMPANY: qxmd.com.cn

TITLE: a New DC/DC BUCK CC LED DRIVER

DRAWN: FAE054	DATED: 2014/9/5
CHECKED: FAE054	DATED: 2014/9/5
QUALITY CONTROL: <QC By>	DATED: <QC Date>
RELEASED: <Released By>	DATED: <Release Date>

CODE: <Code>	SIZE: B	DRAWING NO: <Drawing Number>	REV: <Revision>
SCALE: <Scale>			SHEET: 1 OF 1