

6

5

4

3

2

1

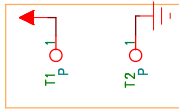
D

# QX5241 LED DRIVER

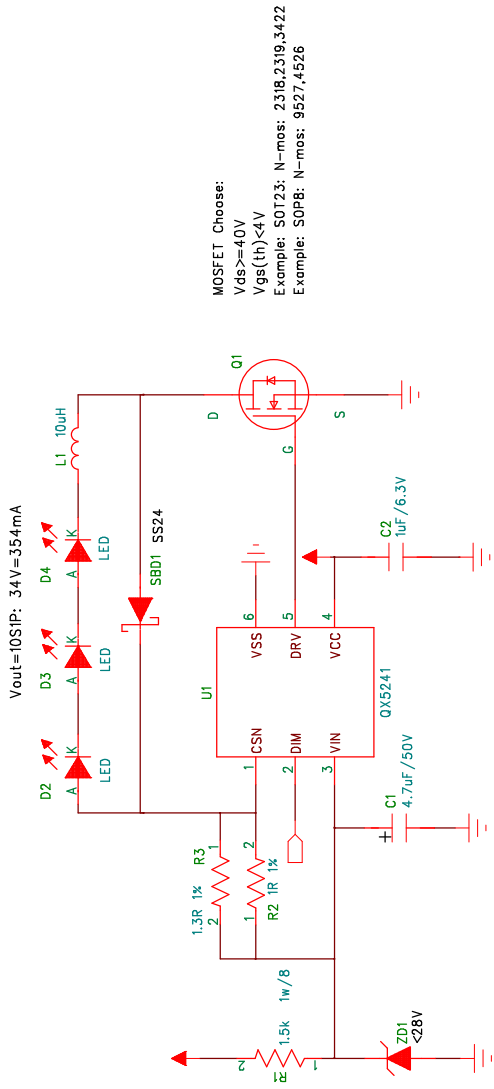
### REVISION RECORD

LTR	ECO NO:	APPROVED:	DATE:
1	VER 1.0	MR.Guo	9-11
2			

D



36V input



MOSFET Choose:  
 $V_{ds} > 40V$   
 $V_{gs}(th) < 4V$   
 Example: SOT23: N-mos: 2318,2319,3422  
 Example: SOP8: N-mos: 9527,4526

C

B

COMPANY:

QXMD.COM.CN

TITLE:

QX5241 LED DRIVER

A

### CUSTOMER NOTICE

QXMD SEMICONDUCTOR HAS MADE A BEST EFFORT TO DESIGN A CIRCUIT THAT MEETS CUSTOMER-SUPPLIED SPECIFICATIONS; HOWEVER, IT REMAINS THE CUSTOMER'S RESPONSIBILITY TO VERIFY PROPER AND RELIABLE OPERATION IN THE ACTUAL APPLICATION. COMPONENT SUBSTITUTION AND PRINTED CIRCUIT BOARD LAYOUT MAY SIGNIFICANTLY AFFECT CIRCUIT PERFORMANCE OR RELIABILITY. CONTACT QXMD SEMICONDUCTOR APPLICATIONS ENGINEERING FOR ASSISTANCE.  
 website: [www.qxmd.com.cn](http://www.qxmd.com.cn)

DRAWN:	q×054	DATED:	2013-9-11
CHECKED:	q×054	DATED:	2013-9-11
QUALITY CONTROL:	<QC By>	DATED:	<QC Date>
RELEASED:	<Released By>	DATED:	<Release Date>

CODE:	SIZE:	DRAWING NO:	REV:
<Code>	B	VER 1.1	VER 1.1

SHEET: 1 of 1